

Ortho TUFF Professional Salon Mat

Hair sweeps up
EASILY!

"The last mat you will ever buy!!"



Professional Salon Mat

PTSM446034SC - Ultra Comfort 3/4" (Semi Circle) Black \$239.95

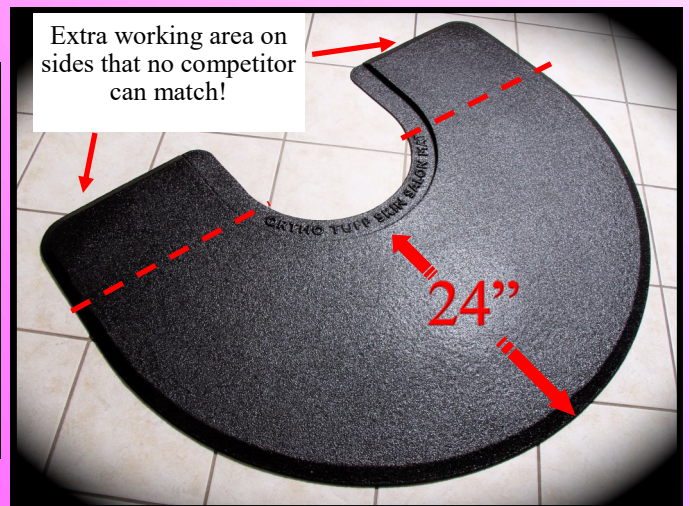
PTSM486034RA - Ultra Comfort 3/4" (Rectangle) Black \$239.95

Register & Shampoo Station Mats

PTSM202434-
20"x24"x3/4"
(Semi Circle
Sink) Black
\$39.95



MORE
working
area than
most
conventional
salon mats!
Features an
AMAZING
24" behind
the chair!



Ortho Tuff

Professional Salon Mat

...a cut above 

TIRED OF DANGEROUS WAVY MATS???



ELIMINATE TRIP HAZARDS WITH ORTHO TUFF SKIN MATS!

Features:

- Appealing Surface in a décor enhancing pattern
- Easy to clean surface that can be swept and mopped
- Non-allergenic, latex and silicone free
- Ortho Tuff Skin Professional Salon Mats are complete with safety bevel
- Innovative closed cell feature eliminates absorption of liquids and fluids.
- Permanent hair color, bleach, peroxide and other chemicals can easily be wiped off with acetone.

Benefits:

- High heel friendly
- Extremely Durable
- Promotes employee wellness
- Reduces spinal compression
- Increases circulation
- Immediate increase in productivity and morale due to workplace comfort
- Guaranteed increased reduction of exposure to prolonged cold, heat and vibration
- Ergonomically designed guaranteed reduction of back, leg, foot and ankle fatigue



Additional usage areas:

- Receptionist Area/Front Counter
- Styling Stations
- Shampoo Stations
- Manicure/Pedicure Stations
- Facial & Waxing Stations
- Custom Sizes Available for additional usage areas.

Colors: Black

Terra Cotta and Dark Grey orders of 20+

Edge:

- Beveled on all sides, rounded corners to improve appearance and reduce trip hazards

Warranty:

- The Ortho Tuff Skin Professional Salon Mat is guaranteed against defects in materials and workmanship for 5 years, including premature wear.
- Life expectancy 10 years or more

Patterns:

- Textured Tuff Skin surface for anti-slip value and cosmetic appearance.

Cleaning:

- Can be swept and mopped with ease
- For disinfectant cleaning follow your normal protocol.

Guarantee:

- Ortho Tuff Skin Professional Salon Mat welcomes the opportunity to be compared. We will proudly provide samples for testing.

Thicknesses and sizes:

- The Ortho Tuff Skin Professional Salon Mats are designed at 3/4" thick; endorsed by Orthopedic Surgeons and Chiropractors.

*Other Thicknesses and custom sizes and colors are available with a minimum order of 20 mats.
(Extended lead time)

- **Please Note:** Ortho Mat has been specifically designed to reduce the risk of slips and falls, while increasing safety and comfort in the workplace. Pro-Tech Mats Industries, Inc. accepts no responsibility for damages involving the use of our products. No product can guarantee that accidents will not happen. Suitability to task and operations in all aspects must be determined by the user of the mat.

- **Also available:** Ask your Supply Rep. about the complete line of Ortho Mat products including Ortho 1, Ortho 2, Ortho Tuff Skin, Anti-Slip, and Duro Mats.

ORTHO MAT®

Proudly Distributed By:

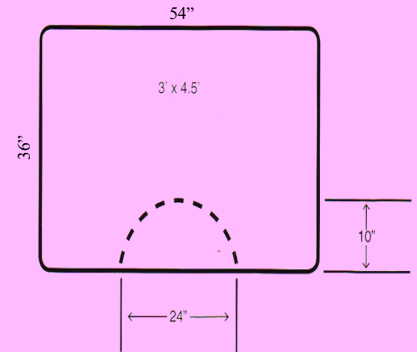
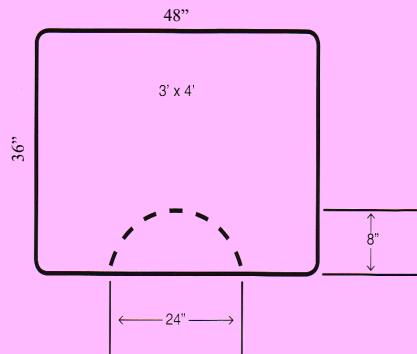
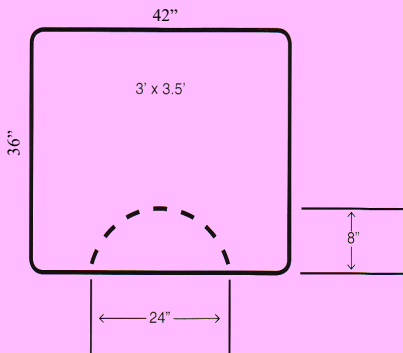
Ortho TUFF

Professional Salon Mat

Available in the following dimensions:

Custom dimensions offered; contact your sales rep for a quote

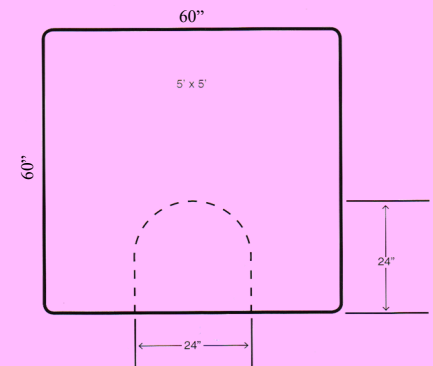
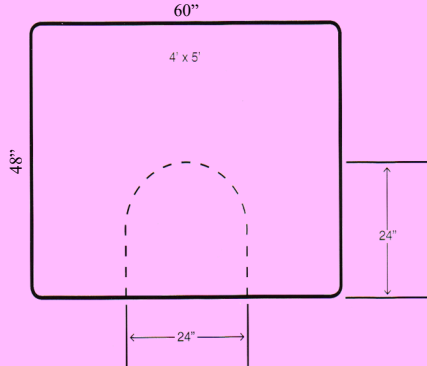
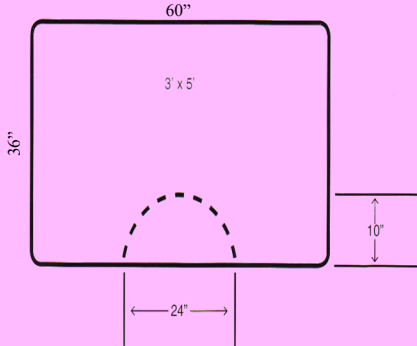
* Allow extended lead time



PTS/M33534RA- Ultra Comfort 3/4"
Black Rectangle - \$144.40

PTS/M3434RA- Ultra Comfort 3/4"
Black Rectangle - \$165.00

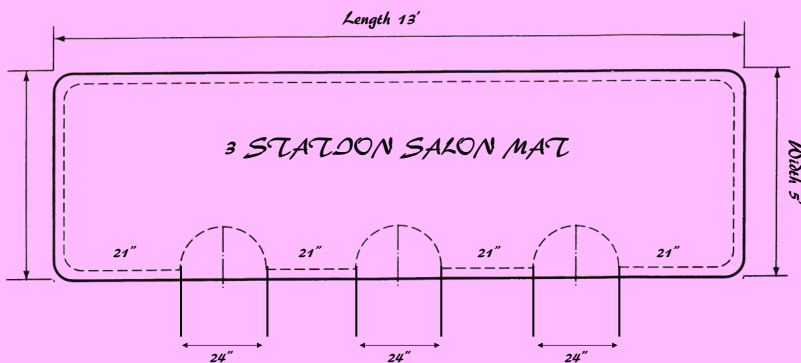
PTS/M34534RA- Ultra Comfort 3/4"
Black Rectangle - \$185.65



PTS/M3534RA- Ultra Comfort 3/4"
Black Rectangle - \$206.25

PTS/M4534RA- Ultra Comfort 3/4"
Black Rectangle - \$275.00

PTS/M5534RA- Ultra Comfort 3/4"
Black Rectangle - \$375.00



3 Station Salon Mat
PTS/M13534RA- Ultra Comfort 3/4"
Black Rectangle - \$975.00

Custom sizes available
Customer dimensions required